

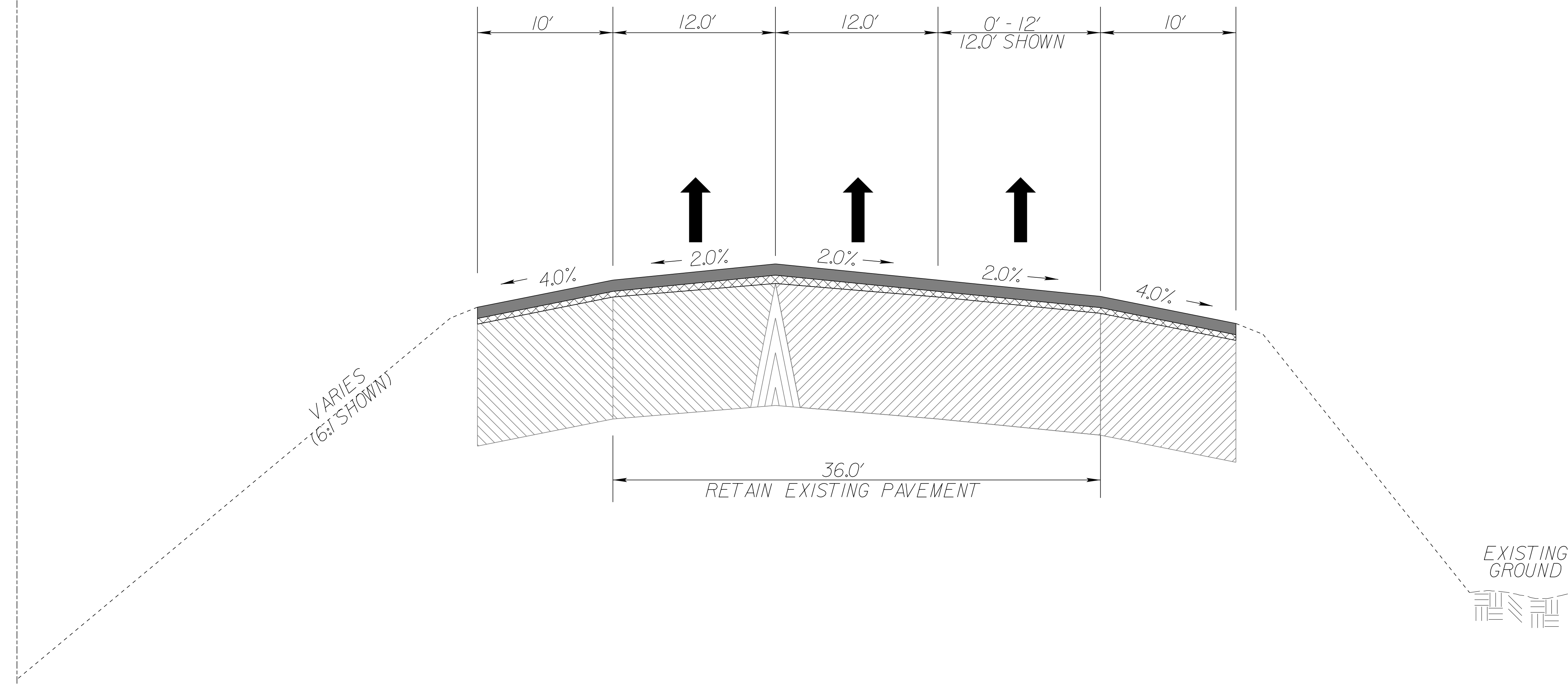
TYPICAL SECTION OF IMPROVEMENT

SOUTH CAROLINA DEPARTMENT OF TRANSPORTATION

COLUMBIA, S.C.

Q I-77

TYPICAL SECTION NO. 1



USE THIS SECTION ON:
I-77 NORTHBOUND MILE MARKER 21.43 TO STA. 1709+50.00

SEE EXHIBIT 4c FOR
PAVEMENT DESIGN CRITERIA

○ ADD 3.75' WHERE GUARDRAIL IS USED
 ★ MILLED-IN RUMBLE STRIPS
 ■ USE 6:1 SLOPE (<5')
 4:1 SLOPE (5' - 10')
 2:1 MAX SLOPE (>10')
 NOTE: PAVEMENT DESIGN SHOWN ON
 TYPICAL SECTIONS MAY NOT BE
 DEPICTED IN CROSS SECTIONS
 TYPICAL SECTIONS TAKE PRECEDENCE

NO.	FUNCTIONAL CLASSIFICATION	DESIGN SPEED		
		MPH	FROM STA.	TO STA.
INTERSTATE 77 NORTHBOUND	URBAN ARTERIAL - FREEWAY	70	MM 21.43	1709+50.00

FOR INFORMATION ONLY
NOT FOR CONSTRUCTION

CONCEPTUAL PLANS NOT FOR CONSTRUCTION	SOUTH CAROLINA DEPARTMENT OF TRANSPORTATION COLUMBIA, S.C.
PLANS PREPARED BY: RS&H <small>4000 FABER PLACE DR, SUITE 130 NORTH CHARLESTON, SC 29405 (843) 203-7813</small>	TYPICAL SECTION
SCALE 1"V = 1' SCALE 1"H = 5'	

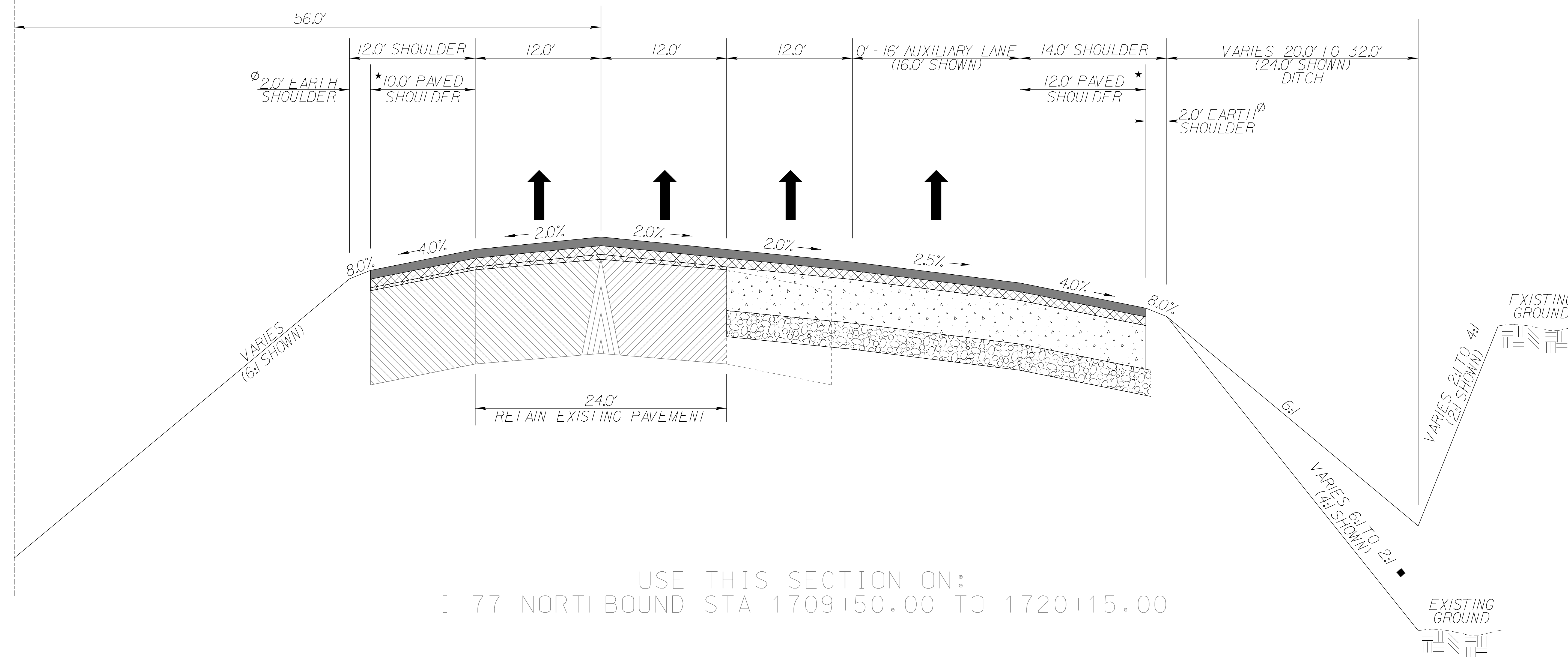
TYPICAL SECTION OF IMPROVEMENT

SOUTH CAROLINA DEPARTMENT OF TRANSPORTATION

COLUMBIA, S.C.

Q I-77

TYPICAL SECTION NO. 2



USE THIS SECTION ON:
I-77 NORTHBOUND STA 1709+50.00 TO 1720+15.00

SEE EXHIBIT 4c FOR
PAVEMENT DESIGN CRITERIA

○ ADD 3.75' WHERE GUARDRAIL IS USED
 ★ MILLED-IN RUMBLE STRIPS
 ■ USE 6:1 SLOPE (<5')
 4:1 SLOPE (5' - 10')
 2:1 MAX SLOPE (>10')
 NOTE: PAVEMENT DESIGN SHOWN ON
 TYPICAL SECTIONS MAY NOT BE
 DEPICTED IN CROSS SECTIONS
 TYPICAL SECTIONS TAKE PRECEDENCE

NO.	FUNCTIONAL CLASSIFICATION	DESIGN SPEED		
		MPH	FROM STA.	TO STA.
INTERSTATE 77 NORTHBOUND	URBAN ARTERIAL - FREEWAY	70	1709+50.00	1720+15.00

FOR INFORMATION ONLY
NOT FOR CONSTRUCTION

CONCEPTUAL PLANS
NOT FOR CONSTRUCTION

PLANS PREPARED BY:

RS&H 4000 FABER PLACE DR, SUITE 130
NORTH CHARLESTON, SC 29405
(843) 203-7813

SOUTH CAROLINA
DEPARTMENT OF TRANSPORTATION
COLUMBIA, S.C.

TYPICAL SECTION

SCALE 1"V = 1' SCALE 1"=H = 5'

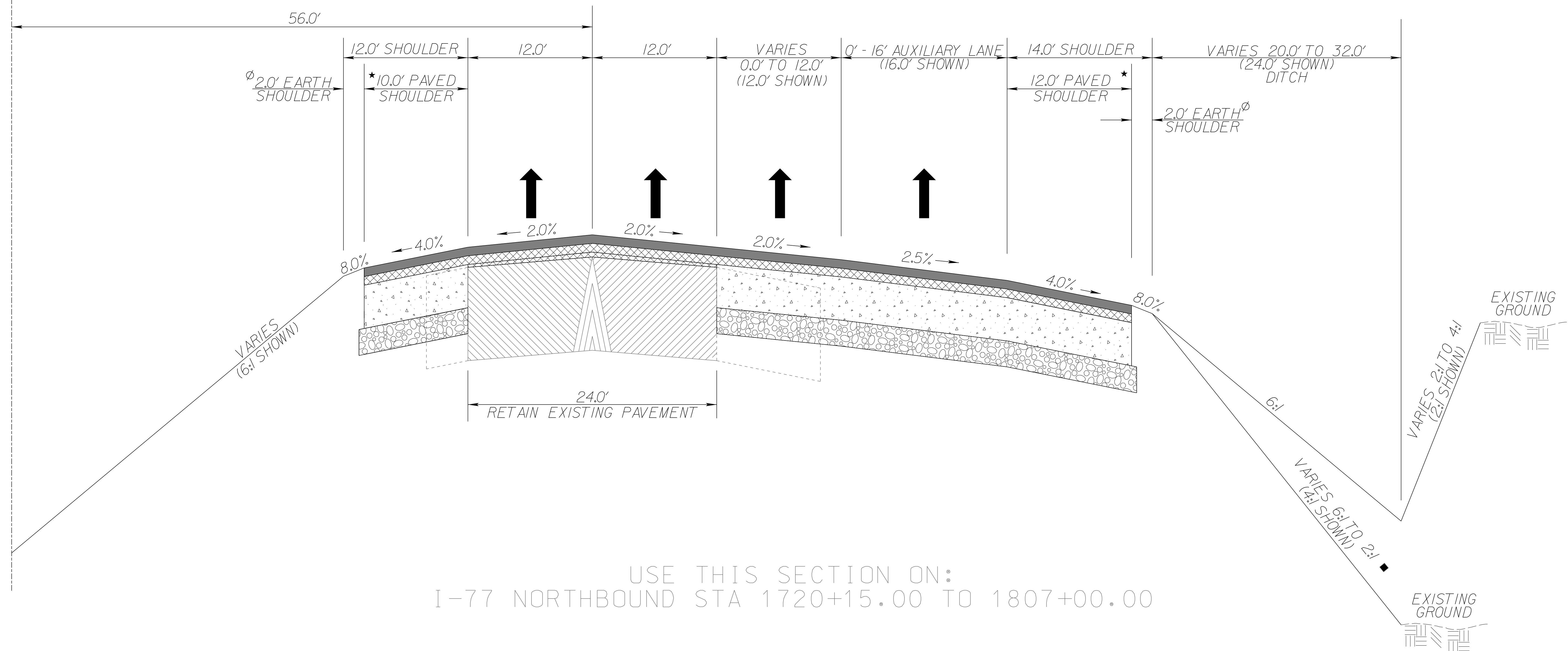
TYPICAL SECTION OF IMPROVEMENT

SOUTH CAROLINA DEPARTMENT OF TRANSPORTATION

COLUMBIA, S.C.

Q I-77

TYPICAL SECTION NO. 3



USE THIS SECTION ON:
I-77 NORTHBOUND STA 1720+15.00 TO 1807+00.00

SEE EXHIBIT 4c FOR
PAVEMENT DESIGN CRITERIA

○ ADD 3.75' WHERE GUARDRAIL IS USED
 ★ MILLED-IN RUMBLE STRIPS
 ■ USE 6:1 SLOPE (<5')
 4:1 SLOPE (5' - 10')
 2:1 MAX SLOPE (>10')
 NOTE: PAVEMENT DESIGN SHOWN ON
 TYPICAL SECTIONS MAY NOT BE
 DEPICTED IN CROSS SECTIONS
 TYPICAL SECTIONS TAKE PRECEDENCE

NO.	FUNCTIONAL CLASSIFICATION	DESIGN SPEED	
		MPH	FROM STA. TO STA.
INTERSTATE 77 NORTHBOUND	URBAN ARTERIAL - FREEWAY	70	1720+15.00 1807+00.00

FOR INFORMATION ONLY
NOT FOR CONSTRUCTION

CONCEPTUAL PLANS NOT FOR CONSTRUCTION	SOUTH CAROLINA DEPARTMENT OF TRANSPORTATION COLUMBIA, S.C.
PLANS PREPARED BY: RS&H <small>4000 FABER PLACE DR, SUITE 130 NORTH CHARLESTON, SC 29405 (843) 203-7813</small>	TYPICAL SECTION
SCALE 1"V = 1' SCALE 1"=H = 5'	

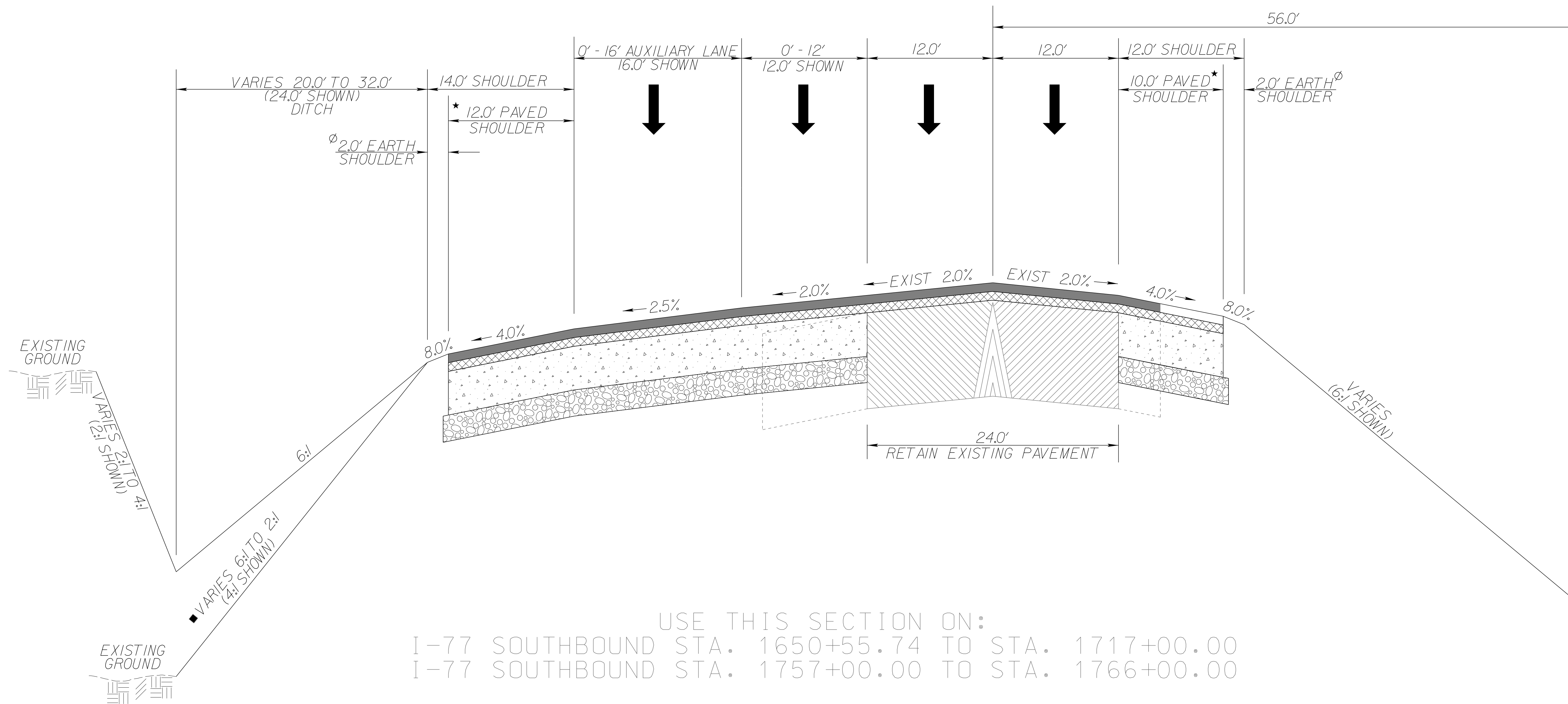
TYPICAL SECTION OF IMPROVEMENT

SOUTH CAROLINA DEPARTMENT OF TRANSPORTATION

COLUMBIA, S.C.

Q1-77

TYPICAL SECTION NO. 4



SEE EXHIBIT 4c FOR PAVEMENT DESIGN CRITERIA

○ ADD 3.75' WHERE GUARDRAIL IS USED
 ★ MILLED-IN RUMBLE STRIPS
 ■ USE 6:1 SLOPE (<5')
 4:1 SLOPE (5' - 10')
 2:1 MAX SLOPE (>10')
 NOTE: PAVEMENT DESIGN SHOWN ON TYPICAL SECTIONS MAY NOT BE DEPICTED IN CROSS SECTIONS TYPICAL SECTIONS TAKE PRECEDENCE

NO.	FUNCTIONAL CLASSIFICATION	DESIGN SPEED		
		MPH	FROM STA.	TO STA.
INTERSTATE 77 SOUTHBOUND	URBAN ARTERIAL - FREEWAY	70	1650+55.74	1717+00.00
		70	1757+00.00	1766+00.00

FOR INFORMATION ONLY
NOT FOR CONSTRUCTION

CONCEPTUAL PLANS NOT FOR CONSTRUCTION	SOUTH CAROLINA DEPARTMENT OF TRANSPORTATION COLUMBIA, S.C.
PLANS PREPARED BY: RS&H <small>4000 FABER PLACE DR. SUITE 130 NORTH CHARLESTON, SC 29405 (843) 203-7813</small>	TYPICAL SECTION
SCALE 1"V = 1' SCALE 1"= 5'	

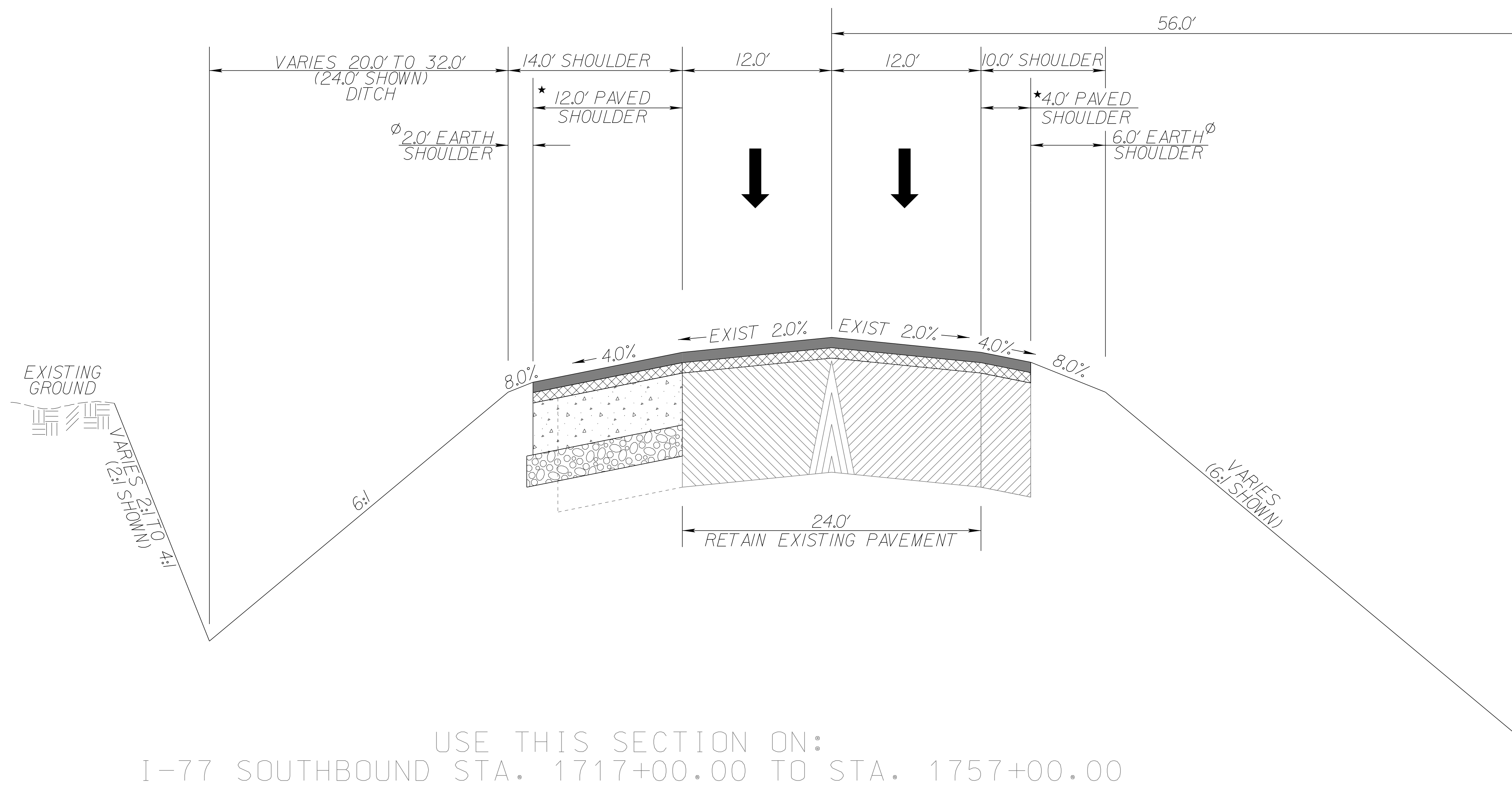
TYPICAL SECTION OF IMPROVEMENT

SOUTH CAROLINA DEPARTMENT OF TRANSPORTATION

COLUMBIA, S.C.

TYPICAL SECTION NO. 5

Q I-77



SEE EXHIBIT 4c FOR
PAVEMENT DESIGN CRITERIA

∅ ADD 3.75' WHERE GUARDRAIL IS USED
 ★ MILLED-IN RUMBLE STRIPS
 ■ USE 6:1 SLOPE (<5')
 4:1 SLOPE (5' - 10')
 2:1 MAX SLOPE (>10')
 NOTE: PAVEMENT DESIGN SHOWN ON
 TYPICAL SECTIONS MAY NOT BE
 DEPICTED IN CROSS SECTIONS
 TYPICAL SECTIONS TAKE PRECEDENCE

NO.	FUNCTIONAL CLASSIFICATION	DESIGN SPEED		
		MPH	FROM STA.	TO STA.
INTERSTATE 77 SOUTHBOUND	URBAN ARTERIAL - FREEWAY	70	1717+00.00	1757+00.00

FOR INFORMATION ONLY
NOT FOR CONSTRUCTION

CONCEPTUAL PLANS
NOT FOR CONSTRUCTION

PLANS PREPARED BY:

RS&H 4000 FABER PLACE DR, SUITE 130
NORTH CHARLESTON, SC 29405
(843) 203-7813

SOUTH CAROLINA
DEPARTMENT OF TRANSPORTATION
COLUMBIA, S.C.

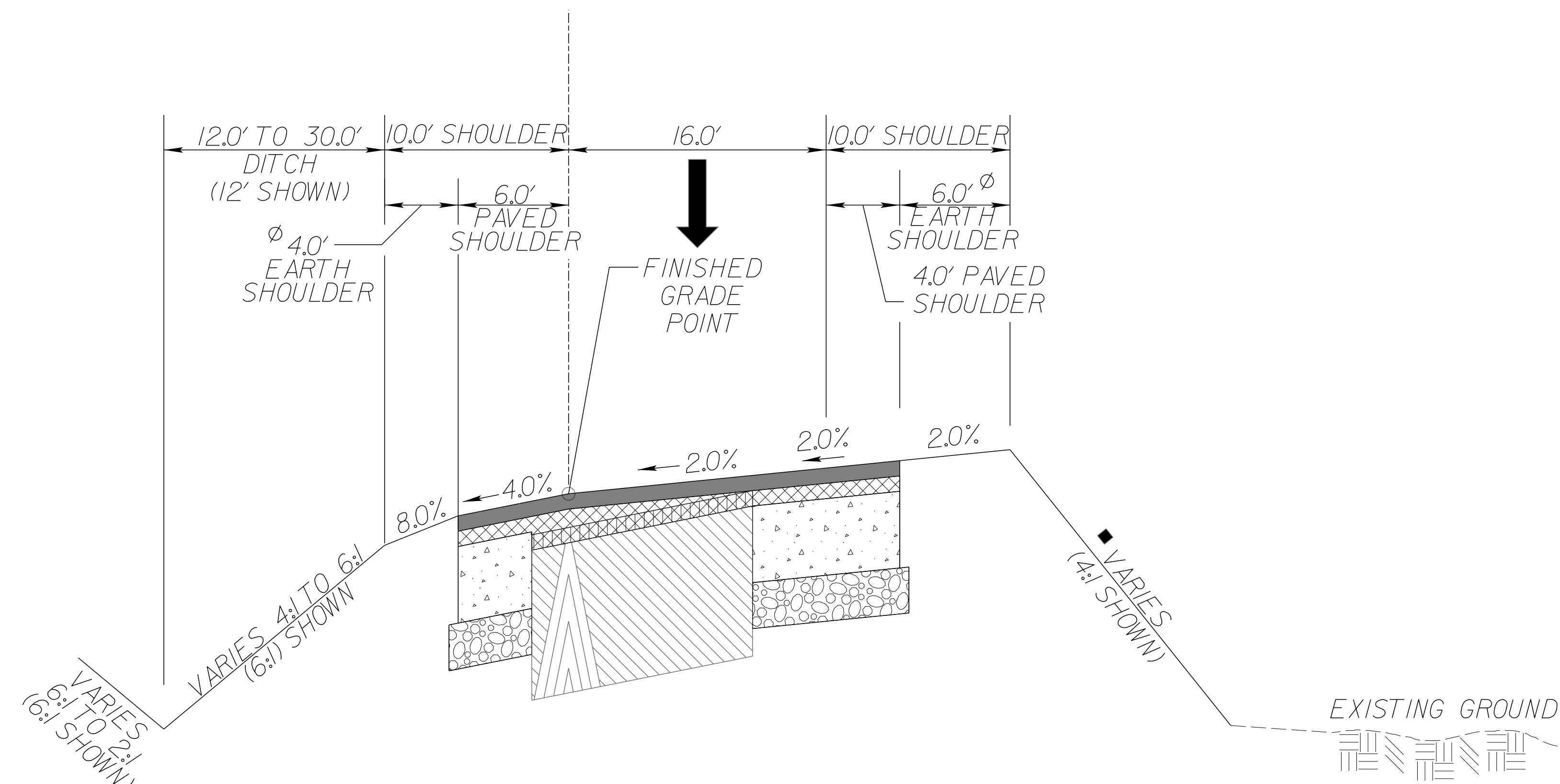
TYPICAL SECTION

SCALE 1"V = 1' SCALE 1"H = 5'

TYPICAL SECTION OF IMPROVEMENT SOUTH CAROLINA DEPARTMENT OF TRANSPORTATION COLUMBIA, S.C.

TYPICAL SECTION NO. 6

RAMP



USE THIS SECTION ON:
US21RPB STA. 1661+00.00 TO STA. 1668+67.10

SEE EXHIBIT 4c FOR
PAVEMENT DESIGN CRITERIA

- ADD 3.75' WHERE GUARDRAIL IS USED
- ★ MILLED-IN RUMBLE STRIPS
- USE 6:1 SLOPE (<5')
- 4:1 SLOPE (5' - 10')
- 2:1 MAX SLOPE (>10')

NOTE: PAVEMENT DESIGN SHOWN ON
TYPICAL SECTIONS MAY NOT BE
DEPICTED IN CROSS SECTIONS
TYPICAL SECTIONS TAKE PRECEDENCE

NO.	FUNCTIONAL CLASSIFICATION	DESIGN SPEED		
		MPH	FROM STA.	TO STA.
US 21 RAMP B	URBAN ARTERIAL - FREEWAY (INTERSTATE RAMP)	50	1661+00.00	1668+67.10

FOR INFORMATION ONLY
NOT FOR CONSTRUCTION

CONCEPTUAL PLANS
NOT FOR CONSTRUCTION

PLANS PREPARED BY:
RS&H 4000 FABER PLACE DR, SUITE 130
NORTH CHARLESTON, SC 29405
(843) 203-7813

SOUTH CAROLINA
DEPARTMENT OF TRANSPORTATION
COLUMBIA, S.C.

TYPICAL SECTION

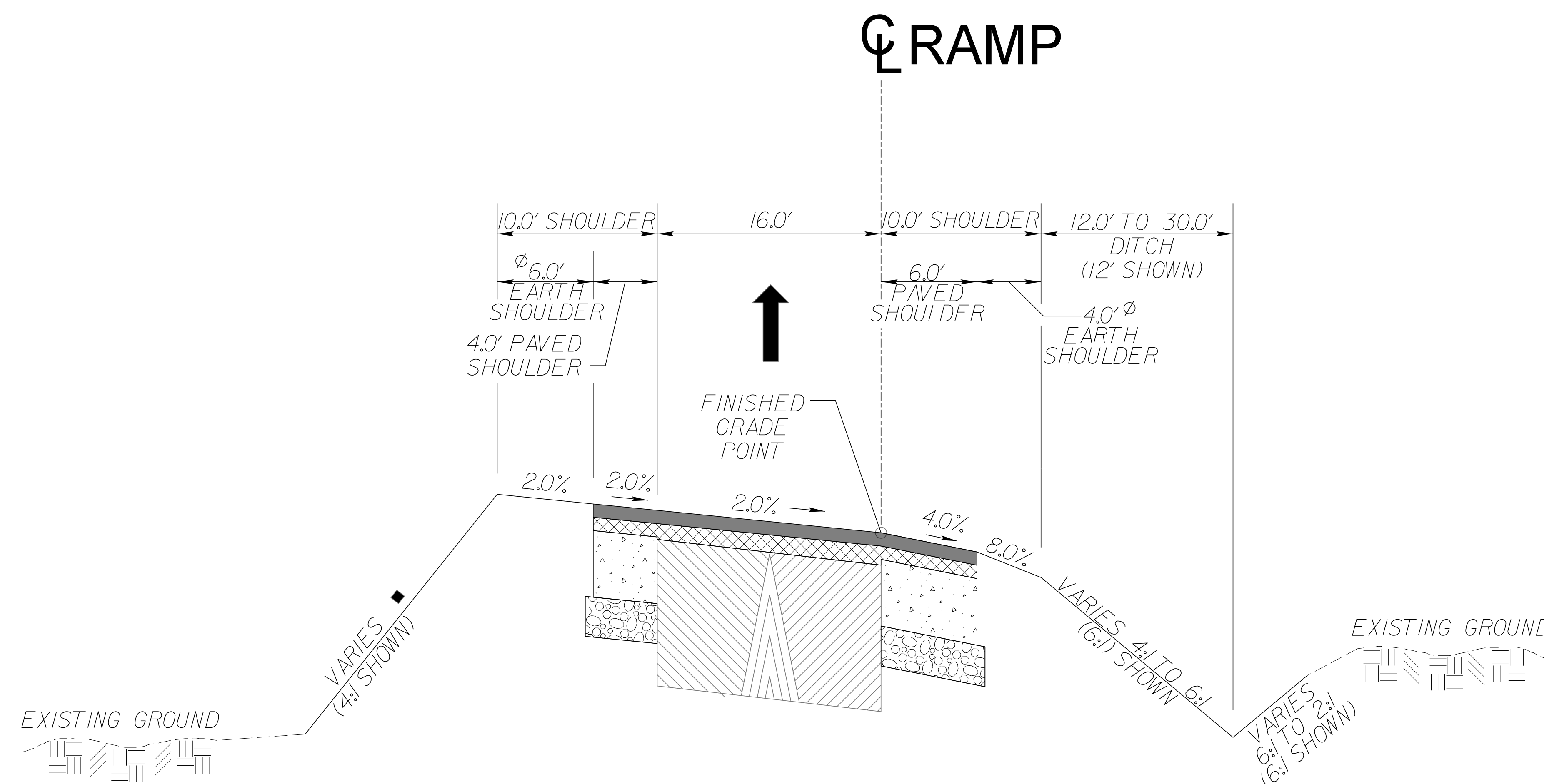
SCALE 1"V = 1' SCALE 1"= 5'

TYPICAL SECTION OF IMPROVEMENT

SOUTH CAROLINA DEPARTMENT OF TRANSPORTATION

COLUMBIA, S.C.

TYPICAL SECTION NO. 7



USE THIS SECTION ON:
BLYRPD STA. 1797+69.52 TO STA. 1805+00.00

SEE EXHIBIT 4c FOR
PAVEMENT DESIGN CRITERIA

○ ADD 3.75' WHERE GUARDRAIL IS USED
 ★ MILLED-IN RUMBLE STRIPS
 ■ USE 6:1 SLOPE (<5')
 4:1 SLOPE (5' - 10')
 2:1 MAX SLOPE (>10')
 NOTE: PAVEMENT DESIGN SHOWN ON
 TYPICAL SECTIONS MAY NOT BE
 DEPICTED IN CROSS SECTIONS
 TYPICAL SECTIONS TAKE PRECEDENCE

NO.	FUNCTIONAL CLASSIFICATION	DESIGN SPEED		
		MPH	FROM STA.	TO STA.
BLYRPD D	URBAN ARTERIAL - FREEWAY (INTERSTATE RAMP)	50	1797+69.52	1805+00.00

FOR INFORMATION ONLY
NOT FOR CONSTRUCTION

CONCEPTUAL PLANS NOT FOR CONSTRUCTION	SOUTH CAROLINA DEPARTMENT OF TRANSPORTATION COLUMBIA, S.C.
PLANS PREPARED BY: RS&H <small>4000 FABER PLACE DR, SUITE 130 NORTH CHARLESTON, SC 29405 (843) 203-7813</small>	TYPICAL SECTION
SCALE 1"V = 1' SCALE 1"=H = 5'	

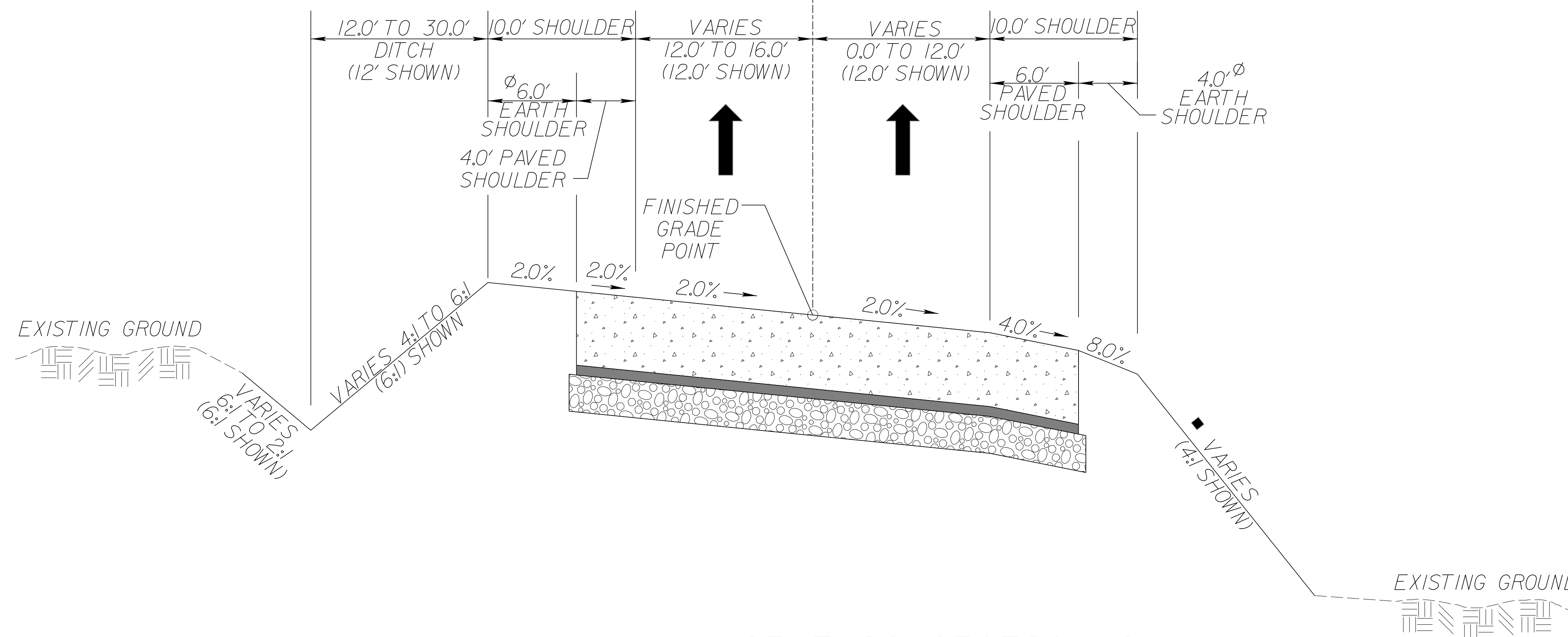
TYPICAL SECTION OF IMPROVEMENT

SOUTH CAROLINA DEPARTMENT OF TRANSPORTATION

COLUMBIA, S.C.

TYPICAL SECTION NO. 8

RAMP, LOOP



USE THIS SECTION ON:

CONLPA STA. 1734+38.00 TO STA. 1744+46.45

CONRPA STA. 1730+98.79 TO STA. 1750+13.67

CONRPBA (OPPOSITE HAND) STA. 1728+97.76 TO STA. 1759+47.81

CONRPC (OPPOSITE HAND) STA. 1712+75.48 TO STA. 1731+20.67

CONRPD STA. 1716+16.75 TO STA. 1732+40.38

SEE EXHIBIT 4c FOR
PAVEMENT DESIGN CRITERIA

- ADD 3.75' WHERE GUARDRAIL IS USED
- ★ MILLED-IN RUMBLE STRIPS
- USE 6:1 SLOPE (<5')
- 4:1 SLOPE (5' - 10')
- 2:1 MAX SLOPE (>10')

NOTE: PAVEMENT DESIGN SHOWN ON
TYPICAL SECTIONS MAY NOT BE
DEPICTED IN CROSS SECTIONS
TYPICAL SECTIONS TAKE PRECEDENCE

NO.	FUNCTIONAL CLASSIFICATION	DESIGN SPEED	
		MPH	FROM STA. TO STA.
CONNECT LOOP A	URBAN ARTERIAL - FREEWAY (INTERSTATE LOOP)	30	1734+38.00 1744+46.45
CONNECT RAMP A	URBAN ARTERIAL - FREEWAY (INTERSTATE RAMP)	50	1730+98.79 1750+13.67
CONNECT RAMP BA	URBAN ARTERIAL - FREEWAY (INTERSTATE RAMP)	50	1728+97.76 1759+47.81
CONNECT RAMP C	URBAN ARTERIAL - FREEWAY (INTERSTATE RAMP)	50	1712+75.48 1731+20.67
CONNECT RAMP D	URBAN ARTERIAL - FREEWAY (INTERSTATE RAMP)	50	1716+16.75 1732+40.38

FOR INFORMATION ONLY
NOT FOR CONSTRUCTION

CONCEPTUAL PLANS
NOT FOR CONSTRUCTION

PLANS PREPARED BY:

RS&H 4000 FABER PLACE DR, SUITE 130
NORTH CHARLESTON, SC 29405
(843) 203-7813

SOUTH CAROLINA
DEPARTMENT OF TRANSPORTATION
COLUMBIA, S.C.

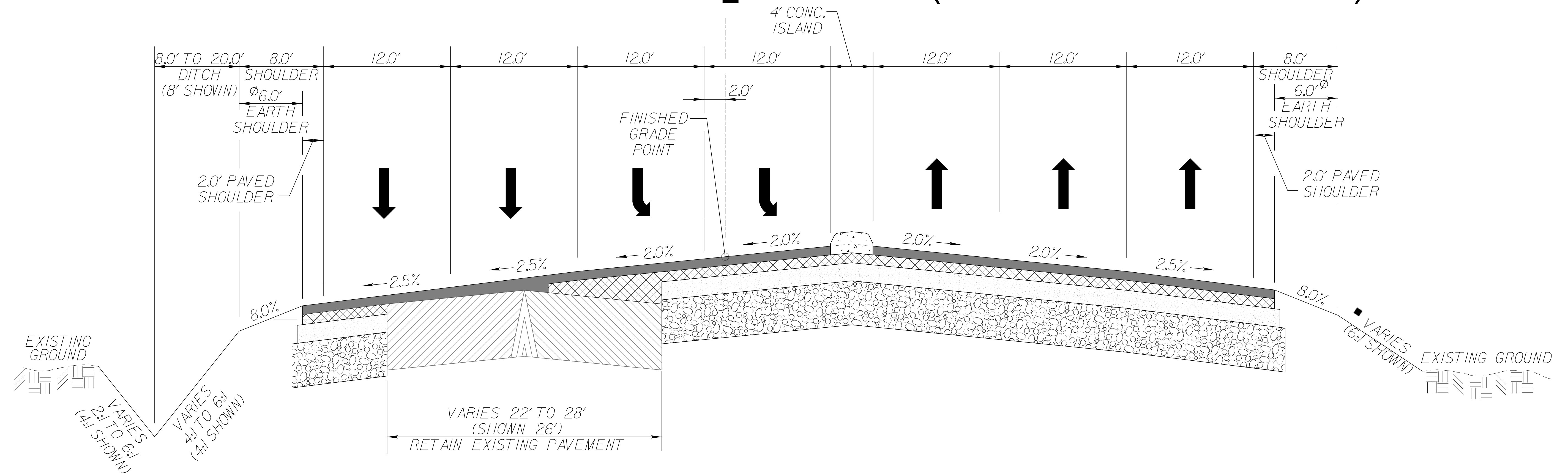
TYPICAL SECTION

SCALE 1"V = 1' SCALE 1"= 5'

TYPICAL SECTION OF IMPROVEMENT
SOUTH CAROLINA DEPARTMENT OF TRANSPORTATION
COLUMBIA, S.C.

TYPICAL SECTION NO. 9

Ⓢ CONNECT (SCOUT MOTORS DRIVE)



USE THIS SECTION ON:
 CONNECT (S-40-1960 SCOUT MOTORS DRIVE) STA. 113+50.00 TO STA. 117+54.21

SEE EXHIBIT 4c FOR
 PAVEMENT DESIGN CRITERIA

- ⊙ ADD 3.75' WHERE GUARDRAIL IS USED
- ★ MILLED-IN RUMBLE STRIPS
- USE 6:1 SLOPE (<5')
- 4:1 SLOPE (5' - 10')
- 2:1 MAX SLOPE (>10')

NOTE: PAVEMENT DESIGN SHOWN ON
 TYPICAL SECTIONS MAY NOT BE
 DEPICTED IN CROSS SECTIONS
 TYPICAL SECTIONS TAKE PRECEDENCE

NO.	FUNCTIONAL CLASSIFICATION	DESIGN SPEED	
		MPH	FROM STA. TO STA.
CONNECT (SCOUT MOTORS DR.)	URBAN MINOR COLLECTOR	35	113+50.00 117+54.21

FOR INFORMATION ONLY
 NOT FOR CONSTRUCTION

CONCEPTUAL PLANS NOT FOR CONSTRUCTION	SOUTH CAROLINA DEPARTMENT OF TRANSPORTATION COLUMBIA, S.C.
PLANS PREPARED BY: RS&H 4000 FABER PLACE DR, SUITE 130 NORTH CHARLESTON, SC 29405 (843) 203-7813	TYPICAL SECTION
SCALE 1"V = 1' SCALE 1"H = 5'	

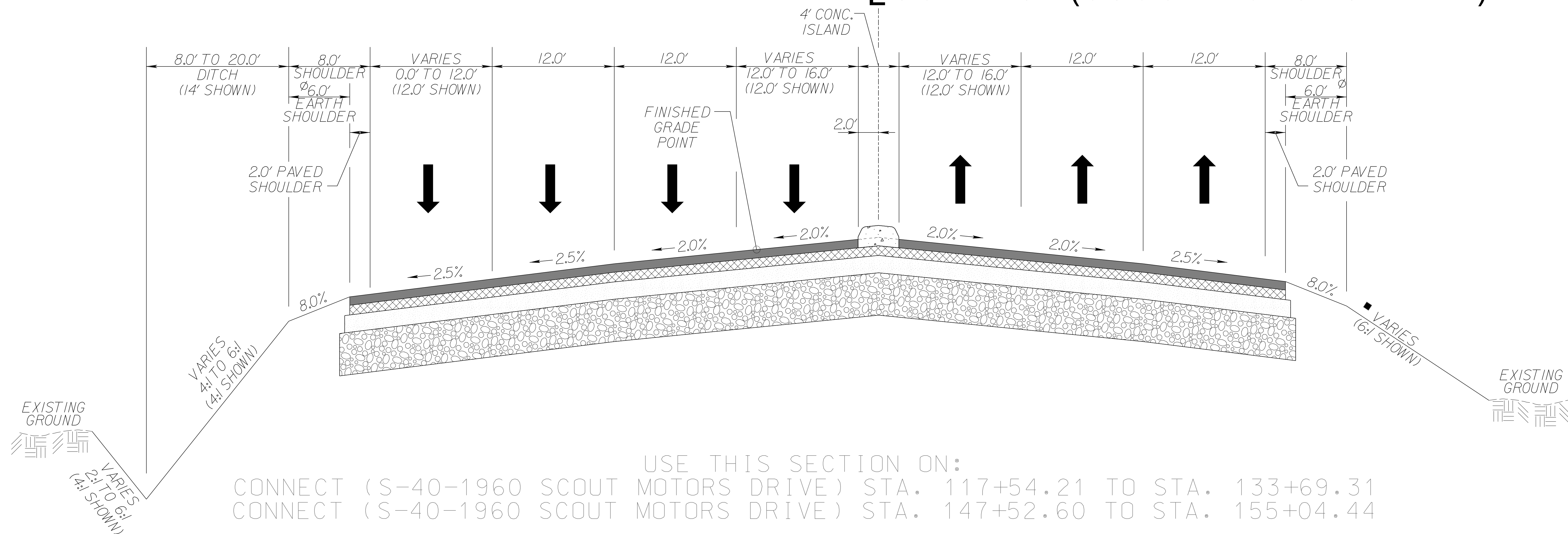
TYPICAL SECTION OF IMPROVEMENT

SOUTH CAROLINA DEPARTMENT OF TRANSPORTATION

COLUMBIA, S.C.

TYPICAL SECTION NO. 10

CONNECT (SCOUT MOTORS DRIVE)



USE THIS SECTION ON:
 CONNECT (S-40-1960 SCOUT MOTORS DRIVE) STA. 117+54.21 TO STA. 133+69.31
 CONNECT (S-40-1960 SCOUT MOTORS DRIVE) STA. 147+52.60 TO STA. 155+04.44

SEE EXHIBIT 4c FOR PAVEMENT DESIGN CRITERIA

○ ADD 3.75' WHERE GUARDRAIL IS USED
 ★ MILLED-IN RUMBLE STRIPS
 ■ USE 6:1 SLOPE (<5')
 4:1 SLOPE (5' - 10')
 2:1 MAX SLOPE (>10')
 NOTE: PAVEMENT DESIGN SHOWN ON TYPICAL SECTIONS MAY NOT BE DEPICTED IN CROSS SECTIONS TYPICAL SECTIONS TAKE PRECEDENCE

NO.	FUNCTIONAL CLASSIFICATION	DESIGN SPEED	
		MPH	FROM STA. TO STA.
CONNECT (SCOUT MOTORS DR.)	URBAN MINOR COLLECTOR	35	117+54.21 133+69.31
CONNECT (SCOUT MOTORS DR.)	URBAN MAJOR COLLECTOR	45	147+52.60 155+04.44

FOR INFORMATION ONLY NOT FOR CONSTRUCTION

CONCEPTUAL PLANS NOT FOR CONSTRUCTION	SOUTH CAROLINA DEPARTMENT OF TRANSPORTATION COLUMBIA, S.C.
PLANS PREPARED BY: RS&H <small>4000 FABER PLACE DR. SUITE 130 NORTH CHARLESTON, SC 29405 (843) 203-7813</small>	TYPICAL SECTION
SCALE 1"V = 1' SCALE 1"= 5'	

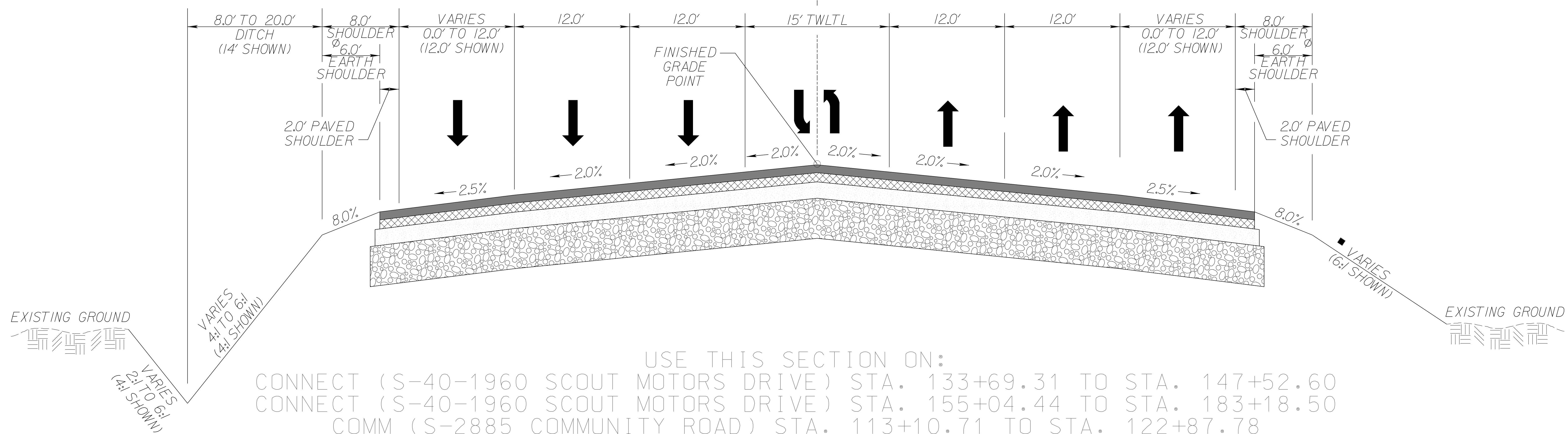
TYPICAL SECTION OF IMPROVEMENT

SOUTH CAROLINA DEPARTMENT OF TRANSPORTATION

COLUMBIA, S.C.

TYPICAL SECTION NO. 11

COLLECTOR ROADS



USE THIS SECTION ON:

CONNECT (S-40-1960 SCOUT MOTORS DRIVE) STA. 133+69.31 TO STA. 147+52.60

CONNECT (S-40-1960 SCOUT MOTORS DRIVE) STA. 155+04.44 TO STA. 183+18.50

COMM (S-2885 COMMUNITY ROAD) STA. 113+10.71 TO STA. 122+87.78

SEE EXHIBIT 4c FOR
PAVEMENT DESIGN CRITERIA

○ ADD 3.75' WHERE GUARDRAIL IS USED
 ★ MILLED-IN RUMBLE STRIPS
 ■ USE 6:1 SLOPE (<5')
 4:1 SLOPE (5' - 10')
 2:1 MAX SLOPE (>10')

NOTE: PAVEMENT DESIGN SHOWN ON TYPICAL SECTIONS MAY NOT BE DEPICTED IN CROSS SECTIONS. TYPICAL SECTIONS TAKE PRECEDENCE.

NO.	FUNCTIONAL CLASSIFICATION	DESIGN SPEED	
		MPH	FROM STA. TO STA.
CONNECT (SCOUT MOTORS DR.)	URBAN MAJOR COLLECTOR	45	133+69.31 147+52.60
CONNECT (SCOUT MOTORS DR.)	URBAN MAJOR COLLECTOR	45	155+04.44 183+18.50
COMMUNITY RD.	URBAN MINOR COLLECTOR	35	113+10.71 122+87.78

FOR INFORMATION ONLY
NOT FOR CONSTRUCTION

CONCEPTUAL PLANS NOT FOR CONSTRUCTION	SOUTH CAROLINA DEPARTMENT OF TRANSPORTATION COLUMBIA, S.C.
PLANS PREPARED BY: RS&H 4000 FABER PLACE DR. SUITE 130 NORTH CHARLESTON, SC 29405 (843) 203-7813	TYPICAL SECTION
SCALE 1"V = 1' SCALE 1"= 5'	

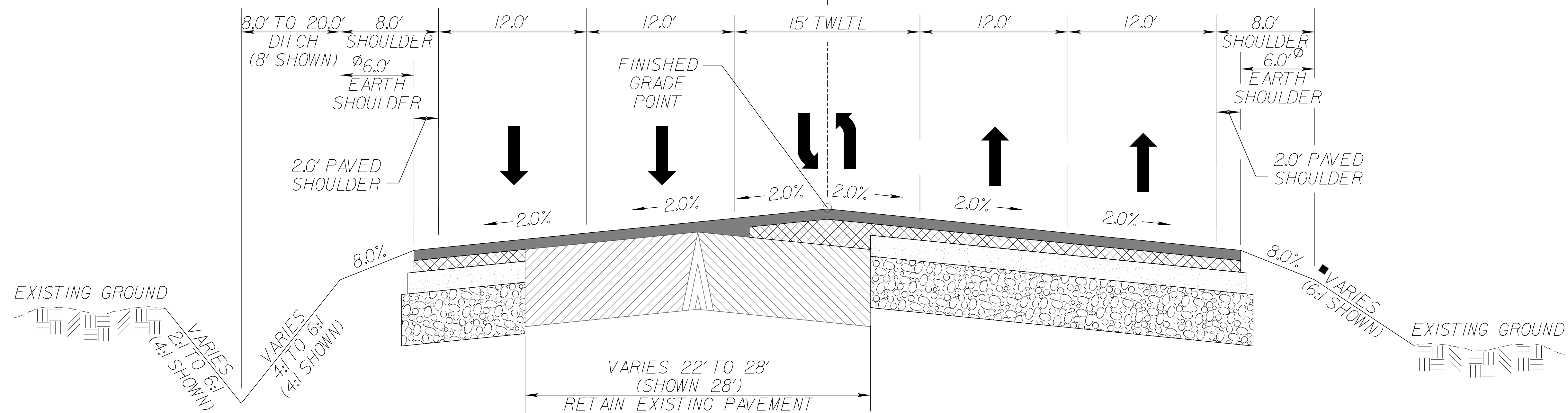
TYPICAL SECTION OF IMPROVEMENT

SOUTH CAROLINA DEPARTMENT OF TRANSPORTATION

COLUMBIA, S.C.

TYPICAL SECTION NO. 12

COMMUNITY ROAD



USE THIS SECTION ON:
 COMM (S-2885 COMMUNITY ROAD) STA. 94+00.00 TO STA. 113+10.71

SEE EXHIBIT 4c FOR
PAVEMENT DESIGN CRITERIA

○ ADD 3.75' WHERE GUARDRAIL IS USED
 ★ MILLED-IN RUMBLE STRIPS
 ■ USE 6:1 SLOPE (<5')
 4:1 SLOPE (5' - 10')
 2:1 MAX SLOPE (>10')
 NOTE: PAVEMENT DESIGN SHOWN ON
 TYPICAL SECTIONS MAY NOT BE
 DEPICTED IN CROSS SECTIONS
 TYPICAL SECTIONS TAKE PRECEDENCE

NO.	FUNCTIONAL CLASSIFICATION	DESIGN SPEED	
		MPH	FROM STA. TO STA.
COMMUNITY RD.	URBAN MINOR COLLECTOR	35	94+00.00 113+10.71

FOR INFORMATION ONLY
NOT FOR CONSTRUCTION

CONCEPTUAL PLANS
NOT FOR CONSTRUCTION

PLANS PREPARED BY:
RS&H
 4000 FABER PLACE DR, SUITE 130
 NORTH CHARLESTON, SC 29405
 (843) 203-7813

SOUTH CAROLINA
DEPARTMENT OF TRANSPORTATION
COLUMBIA, S.C.

TYPICAL SECTION

SCALE 1"V = 1' SCALE 1"= 5'

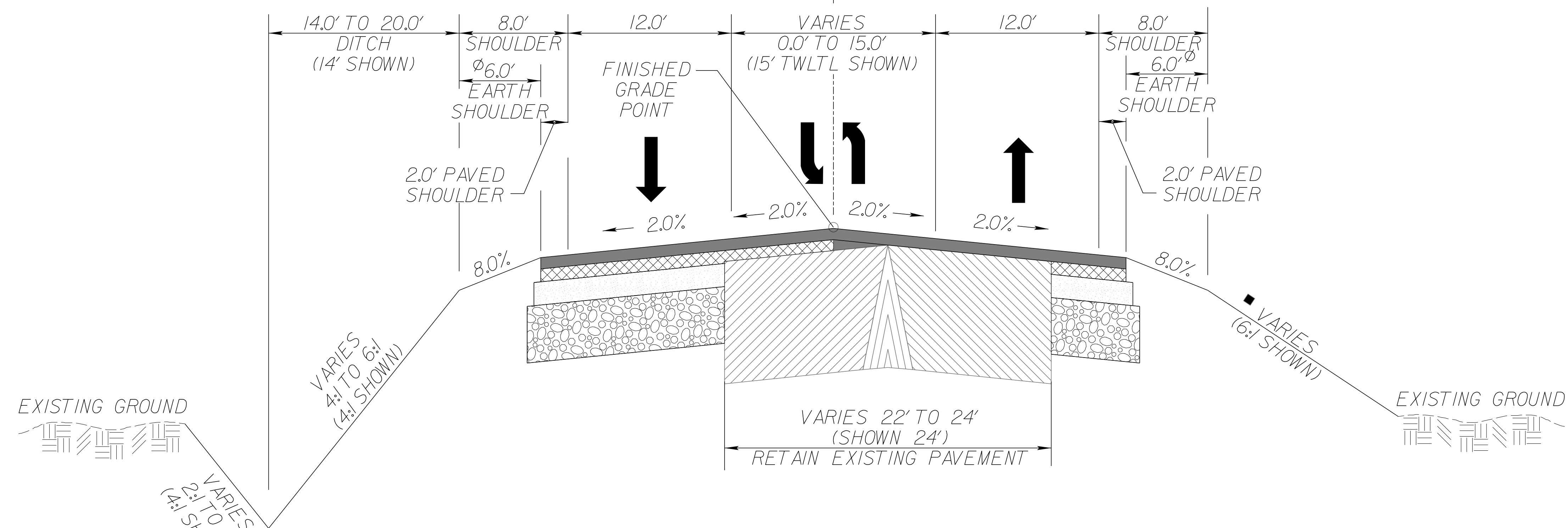
TYPICAL SECTION OF IMPROVEMENT

SOUTH CAROLINA DEPARTMENT OF TRANSPORTATION

COLUMBIA, S.C.

TYPICAL SECTION NO. 13

COLLECTOR ROADS



USE THIS SECTION ON:

US 21 (WILSON BLVD.) STA. 679+87.94 TO STA. 686+30.40
 US 21 (WILSON BLVD.) STA. 725+42.01 TO STA. 727+53.48
 US21EX (WILSON BLVD.) 720+46.38 R2 TO STA. 721+51.38 R2
 FARROW (SC-555 FARROW ROAD) STA. 356+50.00 TO STA. 360+44.74

SEE EXHIBIT 4c FOR
PAVEMENT DESIGN CRITERIA

- ADD 3.75' WHERE GUARDRAIL IS USED
- ★ MILLED-IN RUMBLE STRIPS
- USE 6:1 SLOPE (<5')
- 4:1 SLOPE (5' - 10')
- 2:1 MAX SLOPE (>10')

NOTE: PAVEMENT DESIGN SHOWN ON
TYPICAL SECTIONS MAY NOT BE
DEPICTED IN CROSS SECTIONS
TYPICAL SECTIONS TAKE PRECEDENCE

NO.	FUNCTIONAL CLASSIFICATION	DESIGN SPEED	
		MPH	FROM STA. TO STA.
US 21	URBAN MAJOR COLLECTOR	45	679+87.94 686+30.40
US 21	URBAN MAJOR COLLECTOR	45	725+42.01 727+53.48
US 21	URBAN MAJOR COLLECTOR	45	720+46.38 R2 721+51.38 R2
FARROW RD.	URBAN MAJOR COLLECTOR	45	356+50.00 360+44.74

FOR INFORMATION ONLY
NOT FOR CONSTRUCTION

CONCEPTUAL PLANS
NOT FOR CONSTRUCTION

PLANS PREPARED BY:

RS&H 4000 FABER PLACE DR, SUITE 130
NORTH CHARLESTON, SC 29405
(843) 203-7813

SOUTH CAROLINA
DEPARTMENT OF TRANSPORTATION
COLUMBIA, S.C.

TYPICAL SECTION

SCALE 1"V = 1' SCALE 1"= 5'

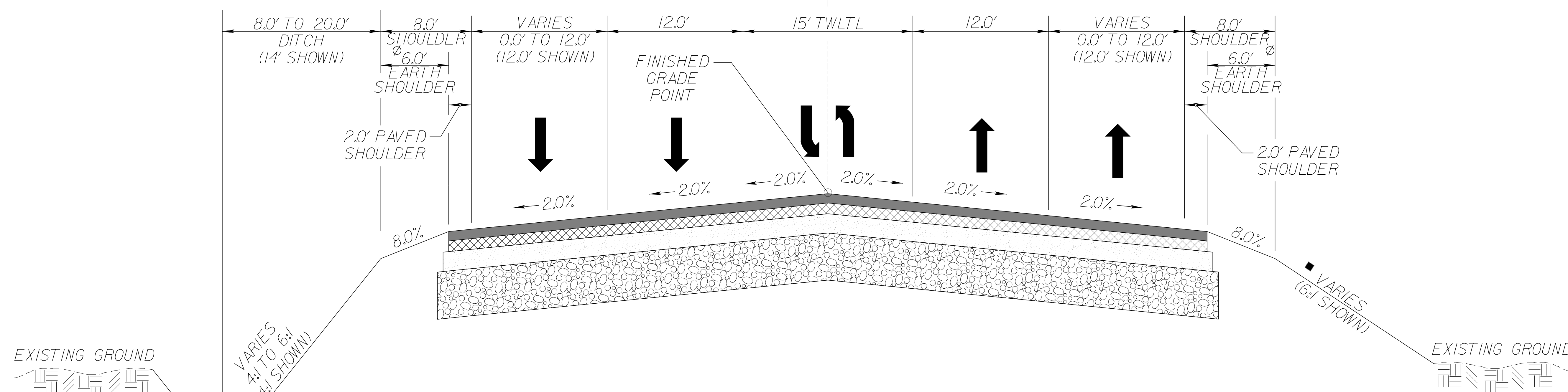
TYPICAL SECTION OF IMPROVEMENT

SOUTH CAROLINA DEPARTMENT OF TRANSPORTATION

COLUMBIA, S.C.

TYPICAL SECTION NO. 14

COLLECTOR ROADS



USE THIS SECTION ON:

COMM (ACCESS ROAD) STA. 122+87.78 TO STA. 127+58.98
 US 21 (WILSON BLVD.) STA. 686+30.40 TO STA. 725+42.01
 FARROW (SC-555 FARROW ROAD) STA. 360+44.74 TO STA. 365+41.77

SEE EXHIBIT 4c FOR
PAVEMENT DESIGN CRITERIA

- ADD 3.75' WHERE GUARDRAIL IS USED
- ★ MILLED-IN RUMBLE STRIPS
- USE 6:1 SLOPE (<5')
- 4:1 SLOPE (5' - 10')
- 2:1 MAX SLOPE (>10')

NOTE: PAVEMENT DESIGN SHOWN ON
TYPICAL SECTIONS MAY NOT BE
DEPICTED IN CROSS SECTIONS
TYPICAL SECTIONS TAKE PRECEDENCE

NO.	FUNCTIONAL CLASSIFICATION	DESIGN SPEED	
		MPH	FROM STA. TO STA.
COMM (ACCESS RD.)	URBAN MINOR COLLECTOR	35	122+87.78 127+58.98
US 21	URBAN MAJOR COLLECTOR	45	686+30.40 725+42.01
FARROW RD.	URBAN MAJOR COLLECTOR	45	360+44.74 365+41.77

FOR INFORMATION ONLY
NOT FOR CONSTRUCTION

CONCEPTUAL PLANS
NOT FOR CONSTRUCTION

PLANS PREPARED BY:
RS&H 4000 FABER PLACE DR, SUITE 130
NORTH CHARLESTON, SC 29405
(843) 203-7813

SOUTH CAROLINA
DEPARTMENT OF TRANSPORTATION
COLUMBIA, S.C.

TYPICAL SECTION

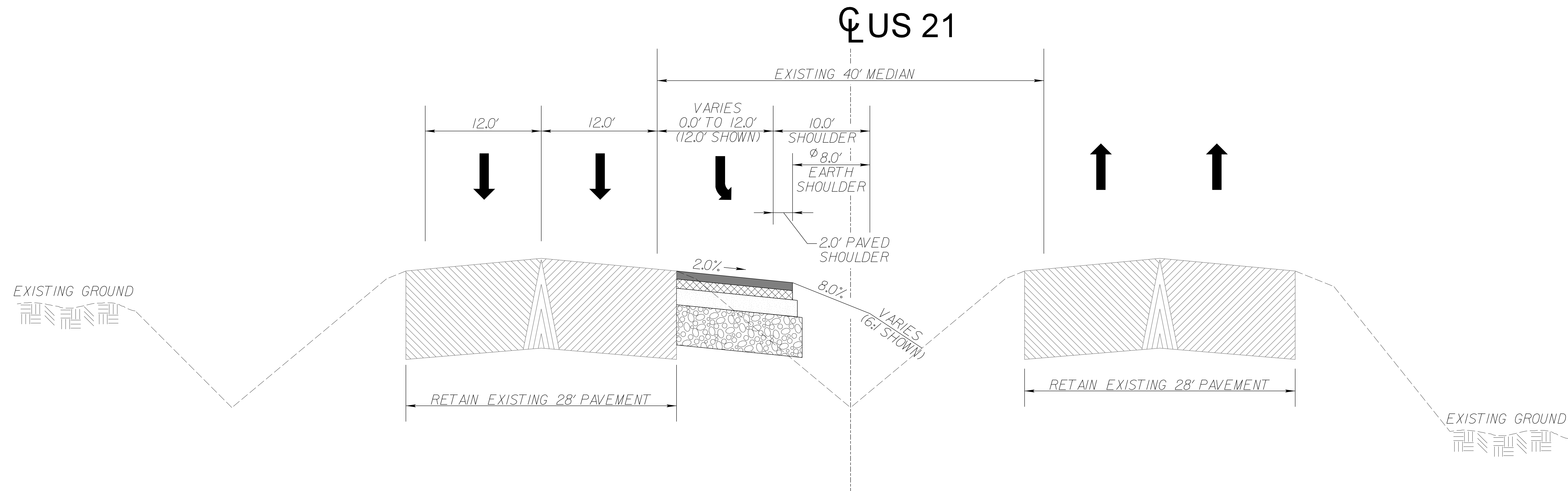
SCALE 1"V = 1' SCALE 1"= 5'

TYPICAL SECTION OF IMPROVEMENT

SOUTH CAROLINA DEPARTMENT OF TRANSPORTATION

COLUMBIA, S.C.

TYPICAL SECTION NO. 15



USE THIS SECTION ON:
US21EX (WILSON BLVD.) STA. 619+66.04 TO STA. 627+93.54

SEE EXHIBIT 4c FOR
PAVEMENT DESIGN CRITERIA

○ ADD 3.75' WHERE GUARDRAIL IS USED
 ★ MILLED-IN RUMBLE STRIPS
 ■ USE 6:1 SLOPE (<5')
 4:1 SLOPE (5' - 10')
 2:1 MAX SLOPE (>10')

NOTE: PAVEMENT DESIGN SHOWN ON TYPICAL SECTIONS MAY NOT BE DEPICTED IN CROSS SECTIONS. TYPICAL SECTIONS TAKE PRECEDENCE.

NO.	FUNCTIONAL CLASSIFICATION	DESIGN SPEED		
		MPH	FROM STA.	TO STA.
US 21	URBAN MINOR ARTERIAL	45	619+66.04	627+93.54

FOR INFORMATION ONLY
NOT FOR CONSTRUCTION

CONCEPTUAL PLANS NOT FOR CONSTRUCTION	SOUTH CAROLINA DEPARTMENT OF TRANSPORTATION COLUMBIA, S.C.
PLANS PREPARED BY: RS&H 4000 FABER PLACE DR, SUITE 130 NORTH CHARLESTON, SC 29405 (843) 203-7813	TYPICAL SECTION
SCALE 1"V = 1' SCALE 1"H = 5'	